



Thank you for purchasing one of our appliances.

The instructions for installation, maintenance and use given on the following pages have been prepared to ensure the long life and perfect operation of your appliance.

Carefully follow these instructions.

We have designed and built this appliance according to the latest technological innovations. Now, it is up to you to look after it.

Your satisfaction is our best reward.

SUMMARY	Page
INSTRUCTIONS	20
INSTALLER SECTION	
1. MACHINE INSTALLATION	21
1.1 Receiving the product	21
1.2 Water connection	22
1.3 Electrical connection	22
1.4 Rinse aid dispenser operation	22
1.5 Deterasive dispenser installation	24
1.6 Drain pump (optional only on machines with basket 650x650 or 850x650)	25
1.7 Pressure increase pump	25
USER SECTION	
2. CONTROL PANEL AND RELATIVE SYMBOLS	27
2.1 Functions of keys during normal operation	27
2.2 Keys for special versions	27
3. OPERATION	27
3.1 Deterasive use	28
3.2 Rinse aid use	28
3.3 Regeneration (optional)	28
3.4 Compliance with H.A.C.C.P. and hygiene standards	29
3.5 Drain pump (optional only on machines with basket 650x650 or 850x650)	29
3.6 Pressure increase pump	30
4. MAINTENANCE	30
4.1 Routine maintenance	30
4.2 Extraordinary maintenance	30
5. THE ENVIRONMENT	31
5.1 Packing	31
5.2 Disposal	31
6. ECOLOGY	31
6.1 Instructions for optimal use of energy, water and additives	31
7. ALARM	32
8. TROUBLESHOOTING (MACHINE PROBLEMS, CAUSES AND CURES)	33



CAREFULLY READ THE INSTRUCTIONS BEFORE INSTALLING THE MACHINE.



IMPORTANT: ANY NON-COMPLIANCE WITH THE REGULATIONS SPECIFIED IN THIS MANUAL WILL INVALIDATE THE PRODUCT WARRANTY AND RELIEVES THE MANUFACTURER OF ANY RESPONSIBILITY.

INSTRUCTIONS



This instruction booklet must be kept with the dishwasher for future consultation. If the dishwasher is sold or transferred to another user, make sure the booklet always goes with the appliance so that the new owner can have the necessary information on operation and the relative instructions.

The instruction booklet must be carefully read before installation and first use of the dishwasher.

These instructions are supplied to safeguard the user in compliance with Directive 73/23 as amended and the “harmonized product Technical Standard” EN 60335-1 and EN 60335-2-58.

- ADAPTATION OF THE ELECTRICAL AND WATER SYSTEMS FOR DISHWASHER INSTALLATION MUST ONLY BE CARRIED OUT BY QUALIFIED OPERATORS.
- This dishwasher must only be used by adults. This is a professional machine to be used by qualified personnel, and installed and repaired exclusively by a qualified technical assistance service. The Manufacturer declines any responsibility for improper use, maintenance or repair.
- Accompany the hood in opening and closing.
- Make sure the dishwasher is not resting on the power cable or the filling and drain hoses. Level the machine by adjusting the support feet.
- **The dishwasher is designed only and exclusively for washing dishes, glasses and various crockery with residuals of food. Do not wash articles different from those specified, very fragile objects or items not resistant to the washing process.**
- Do not open the dishwasher hood when it is working. In any case, the dishwasher has a special safety device which immediately stops it if the hood is accidentally opened, thus preventing water spillage. Remember to always switch the dishwasher off and empty the tank before accessing the inside for cleaning or any other purpose.
- **After use, at the end of the day and for any kind of maintenance, it is advisable to disconnect the dishwasher from the power supply by means of the service switch and the main wall switch, and close the water supply cock.**
- The user must not carry out any repair and/or maintenance operations. In any case contact qualified personnel.
- Servicing of this dishwasher must be performed by authorized personnel.
N.B.: Only use original replacement parts. Otherwise the product warranty is invalidated and the manufacturer is no longer responsible.
- Some important rules must be followed for using this appliance:
 - 1) never touch the appliance with wet hands or feet;
 - 2) never use the appliance when barefoot;
 - 3) do not install the appliance in places exposed to water sprays.
- This appliance is designed to work at room temperatures up to a max. 35°C, in a suitable place with temperature not below 5°C.

N.B. : The manufacturer declines any responsibility for accidents to persons or damage to things caused by non-compliance with the above rules.

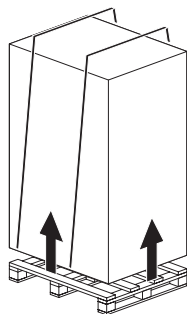


IMPORTANT: WAIT AT LEAST 10 MINUTES AFTER THE MACHINE HAS BEEN SWITCHED OFF BEFORE CLEANING INSIDE IT.



WARNING: DO NOT INSERT HANDS AND/OR TOUCH THE PARTS AT THE BOTTOM OF THE TANK WITH THE MACHINE ON AND/OR HOT.





ATTENTION:

At the end of installation make sure to remove the parts of this booklet relevant to the installer, for future consultation.

1. MACHINE INSTALLATION

1.1 Receiving the product

After unpacking, make sure the appliance has not been damaged due to transport. Otherwise, report the anomaly to the dealer. If it affects safety, do not install the appliance. For disposal of the packing, see chap. 5.

1.2 Water connection

Pressure table	Min	Max
	KPa	KPa
Static P.	250	400
Dynamic P.	200	350
Hardness	2 °f	10 °f

table 1



Connect the machine water supply to an on/off valve that can rapidly and completely shut off the water inflow.

Make sure the water supply pressure is within the values given in table 1.

If is below 2.5 Bar (250 KPa), for optimal machine operation it is advisable to install a pressure increase pump (the machine can be supplied with such a pump by request). If the supply pressure is higher than 4 bar (400 KPa), installation of a pressure reducer is recommended.

A water softener must be installed for waters with average hardness above 10 °f.

This will ensure cleaner dishes and longer machine life. Every machine is supplied with a rubber hose for water filling with 3/4" F threaded connection.

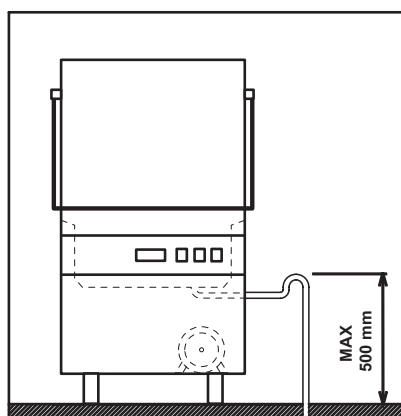
It is advisable to connect the hose to a water supply not above 55° C, if connected to the hot water.

Connect the drain hose, supplied with the machine, to the elbow union located under the tank in such a way that water flows freely (therefore ensuring a minimum slope).

If the water cannot be discharged to a level below the machine drain (see fig. below), it is advisable to purchase a machine with built-in drain pump.

In machines equipped with optional "regeneration device" it is advisable to use water at a temperature not above 40°C, so as not to alter the characteristics of the resins.

The drain hose must always be connected to a trap to prevent the return of odours from the system.



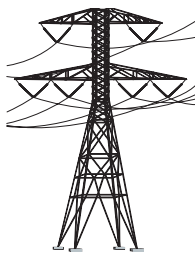


fig. 1

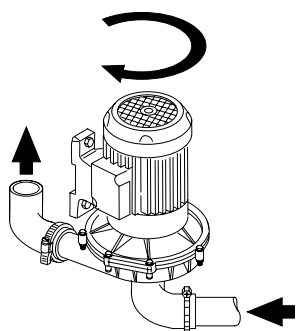


fig. 2

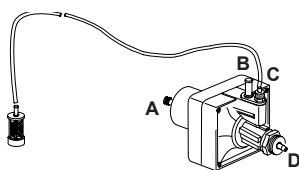


fig. 3

1.3 Electrical connection

Electrical connection must be carried out in compliance with current standards. Make sure the line voltage matches that given on the special machine dataplate. An omnipolar thermal magnetic switch with contact breaking distance of at least 3 mm and adequate for the absorption must be installed.

The switch must be used only and exclusively for this use and installed in the immediate vicinity. The machine must be turned off with this switch.

Ensure that the system has an efficient earth.

On the back of the machine there is also a terminal marked by the symbol (see fig.1) used for the equipotential connection between different appliances. The special dataplate gives the max. power value in watts (W) and amperes (A), for dimensioning of the line, cable and switches.



N.B.: for machines with 400Vac3N, H05RN-F or H07RN-F type cables must be used, or replace them with others if different from the standards in the country where the dishwasher is installed. The dealer/importer/installer must adapt the power cable insulation class according to the work environment, in conformity with current Technical Standards.

Warning: some versions of this machine can dissipate more than 10mA to earth.

If the machine is fitted with a three-phase pump, check correct motor rotation (direction of arrows on the casing). The problem does not exist if the pump is single-phase (standard).

1.4 Rinse aid dispenser operation

Technical specifications:

Operation:

Phase 1 - it utilizes the wash pump starting pressure and the water circuit pressure in the rinse phase (phase 1: injects the product in boiler; phase 2: draws from the tank). Min. water pressure 200 kPa.

Water connection:

- 1) Connect the dispenser by its hose holder fitting (A) to the pump, by means of the rubber hose installed in the machine (pump pressure).
- 2) Connect the black rubber tube by its delivery connection (B) to the union located near the boiler (injector).
- 3) Ensure insertion of the green product suction tube in the special connection (C) and the filter and ballast in the rinse aid tank.

Priming:

To carry out priming, start the machine and carry out a few complete wash and rinse cycles. To speed up restoration, press the adjustment screw (D) during the wash cycle and open the hood; press pin (D) again and close the hood; press pin (D) again and close the hood for a few seconds, open the hood again and press pin (D) again and close the hood. Repeat this operation until the green tube is completely filled.

Adjustment:

With every rinse the dispenser draws a quantity of rinse aid adjustable from 0 to 4 cm³ equivalent to a length of 0 to 30 cm drawn in the tube.

Min. delivery is obtained by turning the adjustment screw D clockwise all the way, whereas max. delivery is obtained by turning the adjustment screw approx. 20 turns anticlockwise. For the right amount of product see the paragraph "Rinse aid use".

N.B.: for every turn of the screw the amount of rinse aid drawn in the tube varies by 1.6 cm, equal to 0.2 cm³/turn (approx. 0.21g/turn with rinse aid density of 1.05 g/cm³).

The rinse aid dispenser cannot work correctly if the difference in level between the bottom of the machine and the tank is more than 80 cm.



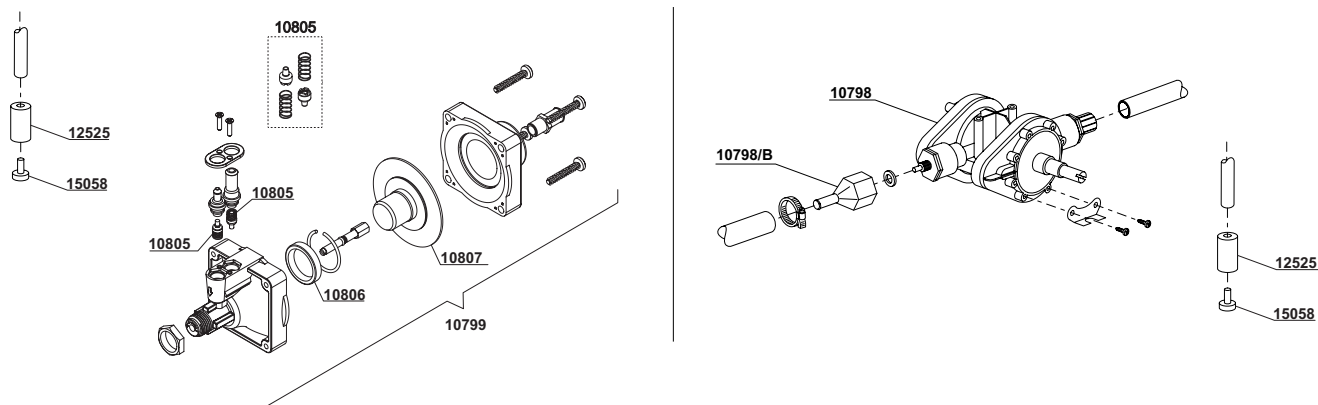


fig. 4

THE DISPENSERS ARE PRESET FOR DRAWING 5 cm, FOLLOWING A FUNCTIONAL CHECK DURING THE TESTING PHASE. THIS VALUE MUST ALWAYS BE MODIFIED ACCORDING TO THE TYPE OF RINSE AID AND THE HARDNESS OF THE WATER.

TROUBLESHOOTING (PROBLEMS)

TROUBLESHOOTING (CAUSES AND CURES)

Return of water in rinse aid container during rinse.

Check the silicone valves code 10805.

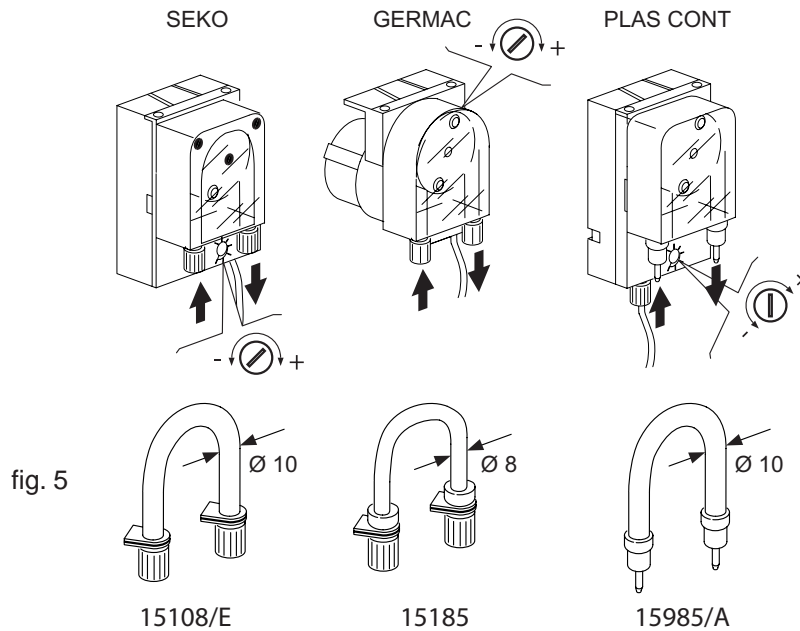
Silicone valve check: Rinse them under a jet of water and replace them if deformed.

The dispenser does not draw rinse aid.

As above, check the valves and make sure the water supply pressure is not below 200 kPa. If necessary increase the amount by operating the middle screw.

Check the integrity of the membrane code 10807 and sliding of the piston on the seal code 10806

1.5 Deterasive dispenser installation



Electrical connection:

See the wiring diagram attached to the machine.

Water connection:

a) A Ø 12 hole must be made in the front of the machine, under the control panel.

In some dishwashers the hole is already available and closed with a plastic plug.

Remove the plug from the hole and fit the delivery connection.

b) Otherwise, make a hole of the same diameter as your injector in the anterior part of the tank (see fig. 6); this operation must be carried out by Technical Assistance.

The hole must be made above the water level.

Important: make the hole in a place away from the overflow, in order to avoid the immediate spilling of detergent, and fix the dispenser upright with the hose holders turned downwards, taking care not to position the injector over live parts.

c) Correctly install the injector (C) using the appropriate seals.

d) Connect the suction tube to the dispenser suction connection (see fig. 6 point A).

e) Connect the delivery tube to the other connection of the dispenser and the delivery union (see fig. 6 point B)

fig. 6

f) Insert the tube with filter in the detergent tank

g) Prime the detergent and proceed with the dosage phase.

Dosage:

The detergent dispenser delivery can be adjusted by directly operating with a screwdriver as shown in fig. 5.

Every 2 cm of product drawn corresponds to 0.25 cm³, equal to 0.3 g (with density 1.2 g/cm³). For a correct amount see par. 3.1.

IMPORTANT: DO NOT INVERT THE TUBES IN THE PRODUCTS; IF THIS OCCURS IT WOULD RUIN THE METERING PUMPS AND COMPROMISE DISHWASHER OPERATION.



1.6 Installing the drain pump (optional)

When installing, pay particular attention to the position of the drain hose (see fig. 7).
 Max. drain height <math>< 1\text{m}</math>; there must be a trap downstream of the drain.
 For the electrical connection see the wiring diagram notes.

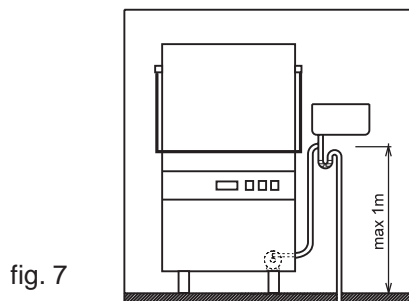


fig. 7

1.7 Pressure increase pump

After periods of dishwasher inactivity, make sure the supplementary pressure increase pump rotates freely. To do this, operate by inserting a screwdriver in the special notch on the motor shaft, ventilation side (see fig. 8).
 In case of blocking, move the motor shaft by inserting the screwdriver in the notch, turning it clockwise and anticlockwise.

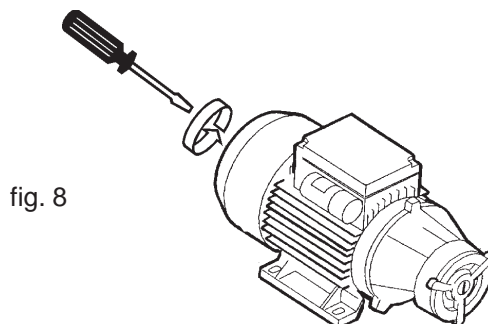


fig. 8

2. CONTROL PANEL AND RELATIVE SYMBOLS

2.1 Standard version keys

1		Service switch 0-1	4		Boiler thermometer
2		Cycle indicator	5		Tank thermometer
3		Cycle time selector: (see table 2)	6		Manual-automatic draining button (optional)
			7		Regeneration Start button and regeneration cycle indicator (optional)

	MECHANICAL OR ELECTRONIC* TIMER (2 standard time)	MECHANICAL TIMER (1 time) ECO version
Time t_1	60s	90s (120s only for Optional Drain Pump)
Time t_2	120s	

tab.2

* Time management available only in the machines equipped with water softener, thermostop, drain pump

2.2 Keys for special versions

8		Cycle start button: t_0 = loading only t_1 = 60s t_2 = 120s t_3 = 180s
---	--	--

3. OPERATION



- Insert the overflow pipe in the special seat inside the tank. Make sure all the filters are properly fitted in their seats. The filters must be cleaned every 40-50 wash cycles and whenever necessary. **(Do not operate the machine without filters, and in particular the pump suction filters).**
- Open the water cock.
- Turn on the main switch and start the machine by pressing switch "1" (it is not a total disconnecting switch).
- Insert the special green rinse aid dispenser tube in the liquid rinse aid container and check that the quantity is sufficient for the daily requirement.
- Using the handle, lower the machine hood and the tank filling phase automatically starts.
- After filling, the machine automatically starts the heating phase.
- The machine will be ready for washing only when the boiler thermometer (4) and tank thermometer (5) indicate that the required temperatures have been reached, which are 80-85°C for boiler and 50-55°C for the tank.
- Put the detergent in the tank, for machines without dispenser, before starting the wash cycle.

- Select the wash time with the selector (3).
Pos. 1= short
Pos. 2= long
N.B.: in machines equipped with optional thermostop, in order to guarantee the exact rinse temperature, the washing time can increase to allow the boiler water temperature to reach the set temperature (80°-85°C)
- Insert the basket with dishes or various articles to be washed and close the hood.
The wash cycle starts automatically, immediately followed by the rinse cycle. The cycle is signalled by the indicator (2)
- The cycle is finished when the indicator goes off.
- The appliance is ready for another cycle.

N.B.: It is advisable to change the tank water, by means of another filling, at least every 40-50 washes or twice a day.

Clean the machine at the end of the day (see chap. 4 Maintenance).

Switch the machine off and close the water cock.

Operation of the machine with the special version keys:

- On the other hand, if the machine has a selector (8) you must select the most suitable washing time, close the cover and the washing cycle will start automatically.
N.B.: the first cycle carried out after changing the time with the mechanical timer will not yet be like the one set previously: the timer requires a complete washing cycle in order to realign the cams according to the set time.
Selecting (0), the cycle won't start by closing the hood.

3.1 Deterasive use



It must be of the NON-FOAMING type and suitable for industrial dishwashing machines. The use of liquid deteratives is recommended.

The deterative must be introduced in the tank. The amount is recommended by the manufacturers. By request the dishwasher can be equipped with an adjustable automatic electric deterative dispenser.

1cm of product drawn in the transparent tube corresponds to approx. 0.15g. A correct amount of detergent is very important for efficient washing.



3.2 Rinse aid use

The machine comes standard with a rinse aid dispenser. The machine draws the product on its own. The amount can be varied by operating the dispenser micrometrical screw. Turn clockwise to increase the amount and anticlockwise to decrease it.

An amount of 3-4cm of product measurable on the suction tube is recommended.

1cm of product drawn in the green tube corresponds to approx. 0.13g. A correct amount of rinse aid is very important for quick drying and sparkling dishes.

N.B.: too much product, or foam, reduces the efficiency of the wash pump.

3.3 Regeneration (optional)

Regeneration of the water softener resins is very important.

Resin regeneration: carry out regeneration of the resins at the number of cycles indicated in the chart given below. E.g. 27°F (or 15°D) = 72 cycles.

To carry out the purifying cycle, proceed as follows:

- turn the main switch 1 (see chap. 2) to 1 (on);
- open the hood;
- remove the overflow and drain all the water contained in the tank;
- check and if necessary restore the salt, making sure it is not spilled in the tank. A strong concentration of salt in the tank can compromise the tank's integrity and machine life. Fill the special container, located inside the tank, (see fig. 6) with common coarse salt (grains of 1-2 mm);
- close the hood then press the button 7 for 5 seconds; wait for the cycle On indicator to light up. The machine automatically carries out regeneration of the resins contained in the purifier in about 20 minutes. The cycle is finished when the indicator (C) goes off.

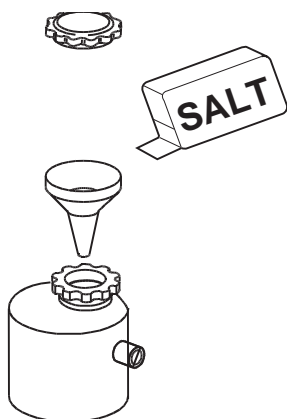


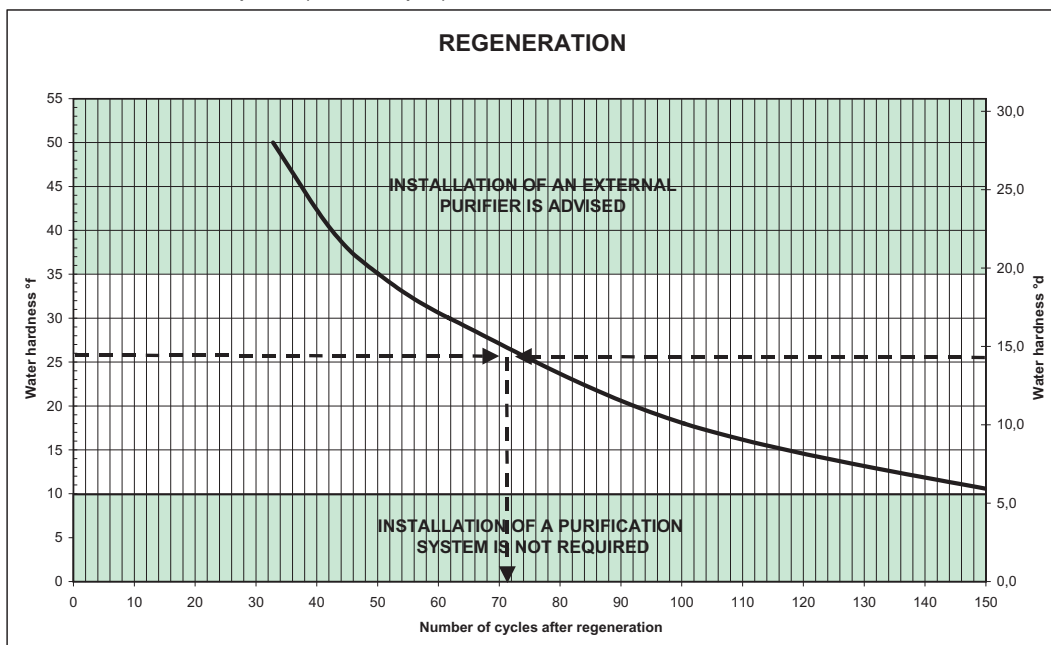
fig. 9

At the end of regeneration, turn the machine off with key (1) and the main wall switch.

N.B.: once started, the cycle cannot be interrupted.

For water purifiers installed on the outside of the machine, carry out resin regeneration by following the steps given in the relative operating instructions.

- flashing of the cycle indicator during regeneration indicates an anomaly or that the tank is notemptied (see Chap.7).



tab. 3



It is advisable to install an external water softener if the hardness is more than 35°f

3.4 Compliance with H.A.C.C.P. and hygiene standards

- The machines are equipped with temperature gauges that indicate the boiler and tank temperatures. Make sure to wait until the set temperatures are reached.
- Carefully remove any residuals from the dishes so as not to clog the filter, nozzles and tubing.
- Empty the wash tank and clean the filters at least twice a day.
- Make sure the amounts of detergent and rinse aid are correct (as recommended by the supplier). In the morning, before starting the machine make sure the quantity of product in the tanks is sufficient for the daily requirement.
- Keep the dish support top clean.
- Remove the dish basket using clean gloves or hands so as not to contaminate the cutlery.
- Do not dry or polish the dishes with rags, brushes or dishcloths that are not sterile.

3.5 Drain pump (optional)

To empty the tank: remove the overflow and leave the hood open, then press the key (6) to start the automatic total emptying time.

After emptying, the machine goes on standby.

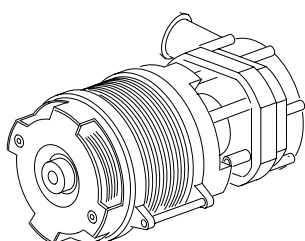
At the end of emptying, turn off the switch (1) and the main wall switch.

If emptying does not occur in the set time, the cycle indicator (2) flashes, indicating that emptying did not occur (check the pump filters and insertion of the overflow).

For another load, switch the machine off, insert the overflow and switch the machine on again.

During the wash-rinse cycle the excess water is automatically discharged.

fig. 10



3.6 Pressure increase pump (optional)

After periods of dishwasher inactivity, make sure the supplementary pressure increase pump rotates freely. To do this, operate by inserting a screwdriver in the special notch on the motor shaft, ventilation side (see fig. 11).

In case of blocking, move the motor shaft by inserting the screwdriver in the notch, turning it clockwise and anticlockwise.

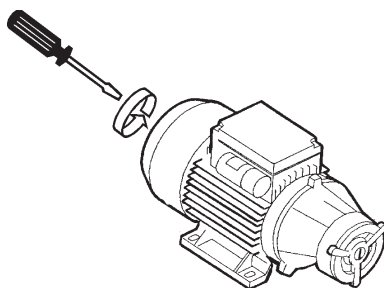


fig. 11

4. MAINTENANCE



ATTENTION: The machine is not protected against pressure water jets, therefore do not use such cleaning systems on the cabinet.

It is also advisable to contact cleaning product dealers for detailed information on methods and products for periodical sanitizing of the machine.

Do not use bleach or chlorine-based deteratives to clean the dishwasher.

4.1 Routine maintenance



Perfect machine operation depends on careful cleaning, which must be carried out at least once a day, in the following way:

- Turn off the switch (0-1) and the main wall switch.
- Drain the water, removing the overflow pipe.
N.B.: for machines arranged with drain pump, after removing the overflow pipe and turning off the switch (0-1), press the button (6) until draining is completed.
- Remove the filters and clean them with a brush under a strong jet of water.
- Remove the impellers by undoing the fixing screws and carefully clean the nozzles, wash arms, and rinse under running water.
- Refit all the parts and arrange the impellers in their seats, securing them with the relative fixing screw.
- Carefully clean the tank; do not use chlorine-based deteratives.
- At the end of the day it is advisable to leave the machine hood open.

N.B.: It is advisable to change the tank water, by new filling, at least every 40-50 washes or twice a day.

Do not use metal scouring pads and/or corrosive products for cleaning the dishwasher.

4.2 Extraordinary maintenance

Once or twice a year have the machine checked by a qualified technician, to:

- Clean the solenoid valve filter;
- Remove scale from the heating elements;
- Check the tightness of seals;
- Check the integrity and/or wear of components;
- Check the functionality of the dispensers;
- Have the electrical connection terminals tightened at least once a year by Technical Assistance.

5. THE ENVIRONMENT

5.1 Packing



The packing consists of the following:

- a wooden pallet;
- a nylon (LDPE) bag;
- a multilayer cardboard box;
- polystyrene foam (PS);
- polypropylene (PP) straps.

Please dispose of the materials listed above, according to the current regulations.

5.2 Disposal

The machine must be disposed of in compliance with current regulations: contact the Municipalized Company responsible for collection of urban solid waste.

Disconnect the machine from the electrical and water supply before disposal.

Cut off the electrical cable in order to make any other use impossible.

All the metal parts are recyclable as they are in stainless steel.

Recyclable plastic parts are marked with the symbol of the plastic material.

6. ECOLOGY



6.1 Instructions for optimal use of energy, water and additives

Salt dosage

The salt is injected in the resins with every regeneration cycle in a quantity fixed by the manufacturer. It is important to carry out regeneration at the number of cycles recommended in par. 3.3 in order to avoid wasting salt or clogging due to scale.

If possible, use the machine at full load

This will avoid wasting detergent, rinse aid, water and energy.

Detergents and rinse aids

Use detergents and rinse aids having the highest biodegradability, for greater environmental respect. Have the correct dosage according to the water hardness checked at least once a year. An excess of product pollutes rivers and seas, whereas an insufficient amount compromises dish washing and/or hygiene.

Tank and boiler temperatures

The tank and boiler temperatures are factory-set in order to obtain the best washing result with the majority of detergents available on the market. These can be reset by the installer according to the detergent used.

Removing residuals

Carefully remove any residuals using a moderate amount of water at room temperature to facilitate the removal of animal fats. To remove encrusted matter, soaking in hot water is recommended.

Notes:

Wash objects as soon as possible to prevent the deposits from drying and compromising washing efficiency.

For efficient washing carry out regular cleaning and servicing of the dishwasher (see chap. 4).

Non-compliance with the above points and all the information described in this manual could determine a waste of energy, water and detergent, with consequent increase in operating costs and/or decrease in performance.

7. ALARMS



TYPE OF ALARMS	CAUSES	CURES
Cycle indicator flashing	The wash tank does not fill with water	Check that the water supply cock is open or correct positioning of the overflow. Switch the machine off and on again to cancel the alarm.
	In machines with thermostop: the boiler does not heat	Faulty thermostat boiler or heating element: check and if necessary have them replaced by Technical Assistance
Purifying indicator flashing	Tank not emptied	Remove the overflow and empty the tank. Switch the machine off and on again to reset the error.

tab. 4

8. TROUBLESHOOTING (MACHINE PROBLEMS, CAUSES AND CURES)

Type of problem	Possible causes	Cure
The machine does not start	Main switch turned off	Turn switch on
The machine does not load water	Water supply cock closed	Open the water cock
	Spraying arm nozzles clogged	Clean the spraying arm nozzles and the pipes
	Solenoid valve filter clogged with sand	Clean the filter
Inadequate washing results	The washing nozzles are clogged or the washing arms do not turn	Unscrew and clean the nozzles and the rotation shaft and correctly refit everything in the special seats
	Detergent concentration too low	Change the amounts of detergent
	Filters too dirty	Remove and clean the filters with a brush under a jet of water then refit them in their seats
	Presence of foam	Use a non-foaming detergent or reduce the amounts of that used. Check the amounts of rinse aid
	Check the tank temperature (it must be between 50°C and 60°C)	Adjust the thermostat or check correct operation of the heating element
	During wash, insufficient for the type of dirt	Select the longest cycle when possible, otherwise repeat the wash cycle
	Washing water too dirty	Drain the tank water, clean the filters; refill the tank and correctly refit the filters
Pots and dishes are not properly dried	Insufficient rinse aid dosage	Increase the amount by adjusting the dispenser screw (see par. "Rinse aid dispenser")
	Basket unsuitable for the pots and dishes	Use a suitable basket that allows the pots to be tilted so that the water runs off
	The dishes may have been inside the tank for too long	As soon as the wash cycle is over immediately remove the basket with pots and dishes so that they can dry quicker with air
	Rinse water temperature below 80°C	Check the boiler thermostat temperature (4). If necessary have it adjusted by Technical Assistance
	If the machine is fed with cold water	Use the long cycle
Streaks or smears on pots and dishes	Rinse aid concentration too high	Reduce the rinse aid concentration by means of the dispenser micrometrical screw (see par. "Rinse aid dispenser")
	Water too hard	Check the quality of the water. The water hardness must not be more than 10°f
	For machines with purifier: insufficient salt in the special container or the resins were not correctly regenerated	Fill the salt container (coarse salt: grains approx. 1-2 mm) and carry out resin regeneration more frequently. If scale is also noticed on the cabinet, have the purifier checked by qualified personnel
	Salt in the machine tank	Thoroughly clean and rinse the machine and avoid spilling the product when filling the salt container
During operation the machine suddenly stops	The machine is connected to an overload system	Connect the machine separately (call the authorized personnel).
	A machine safety device has triggered	Check the safety devices (call the authorized personnel)
During the wash phase the machine stops and replenishes water	The previous day's water was not changed	Empty the tank and carry out a new filling
	Temperature of water in tank too high	Have the thermostat and pressure switch checked by the Assistance Centre
	Faulty pressure switch	Remove and correctly position the overflow
Overflow incorrectly positioned	Remove and correctly position the overflow	
The booster pump can't prime	Little pressure on feeding	Take out the boiler pipe and drain the pump
The machine does not wash and the wash pump is noisy on machines with three-phase pump	The pump direction is inverted due to incorrect power cable connection	Check and correctly connect the cable wires

N.B.: For any other problems, contact Technical Service.

The Manufacturer reserves the right to modify the technical characteristics without prior notice