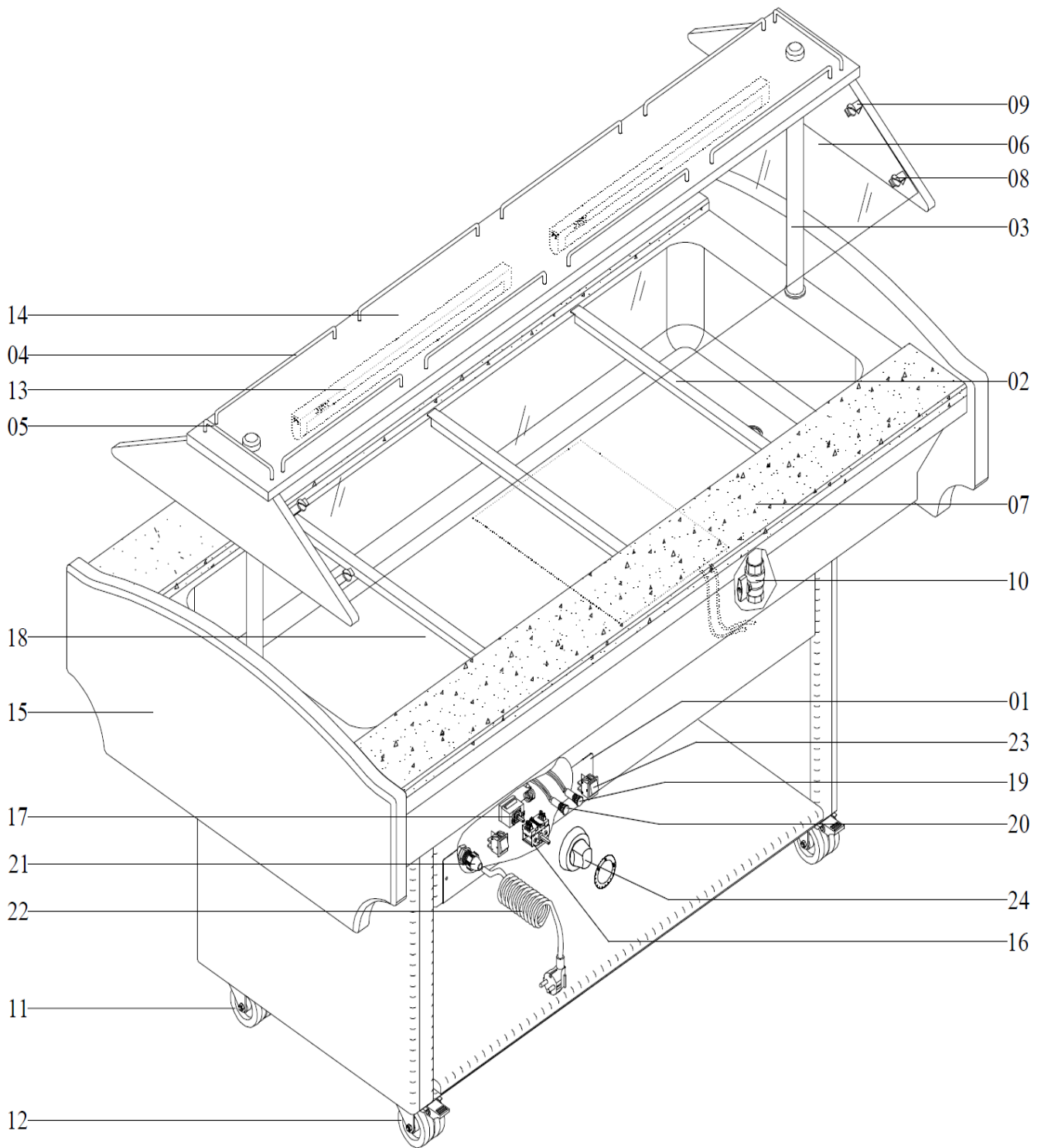


GB4 - HOT

Exploded parts diagram







| Number | Description |
|--------|-----------------------------|
| 2 | Strip |
| 3 | Foot |
| 4 | Railing |
| 5 | Railing |
| 6 | Glass |
| 7 | Granite |
| 8 | Bolt & Nut |
| 9 | Coupling Piece |
| 10 | Butterfly Valve |
| 11 | Castor |
| 12 | Castor (w/ Brake) |
| 13 | Armature |
| 14 | Stand |
| 15 | Wooden Panel |
| 16 | Breaker |
| 17 | Thermostat/Controller (VX1) |
| 18 | Heating Element |
| 19 | Signal Lamp |
| 20 | Signal Lamp |
| 21 | Fitting |
| 22 | Cable |
| 23 | On/Off Switch |
| 24 | Knob |
| 25 | Holder |
| 26 | Connector |

*** Please contact Spares for assistance ***